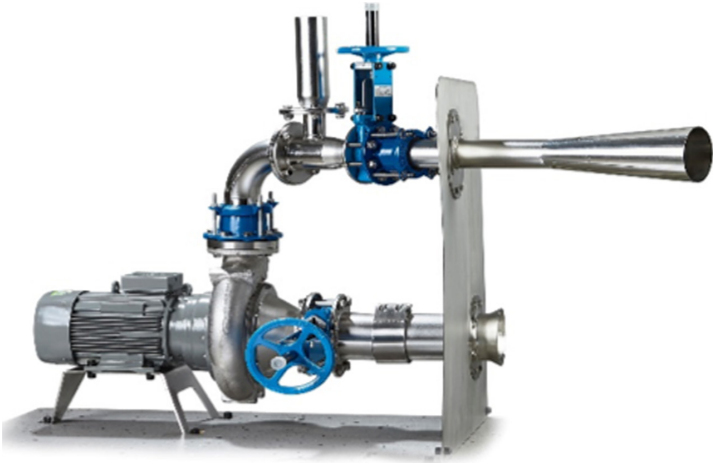


IDEAL

EQQTM

Equalization and pH System

Ideal EQ Mixing™

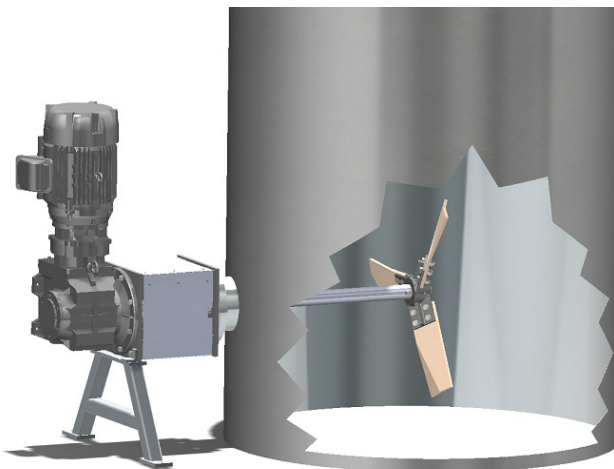


The AirJet mixing system offers benefits including:

- 💧 Self-aspirating
- 💧 Elimination of stratification
- 💧 Non-clogging aeration system
- 💧 Low Maintenance
- 💧 Easy to Retrofit

The Slot Injection Aeration system offers benefits including:

- 💧 Considerable capital savings
- 💧 High oxygen transfer rates
- 💧 Significant energy savings
- 💧 Higher velocity jet plume
- 💧 Removable/Replaceable nozzles



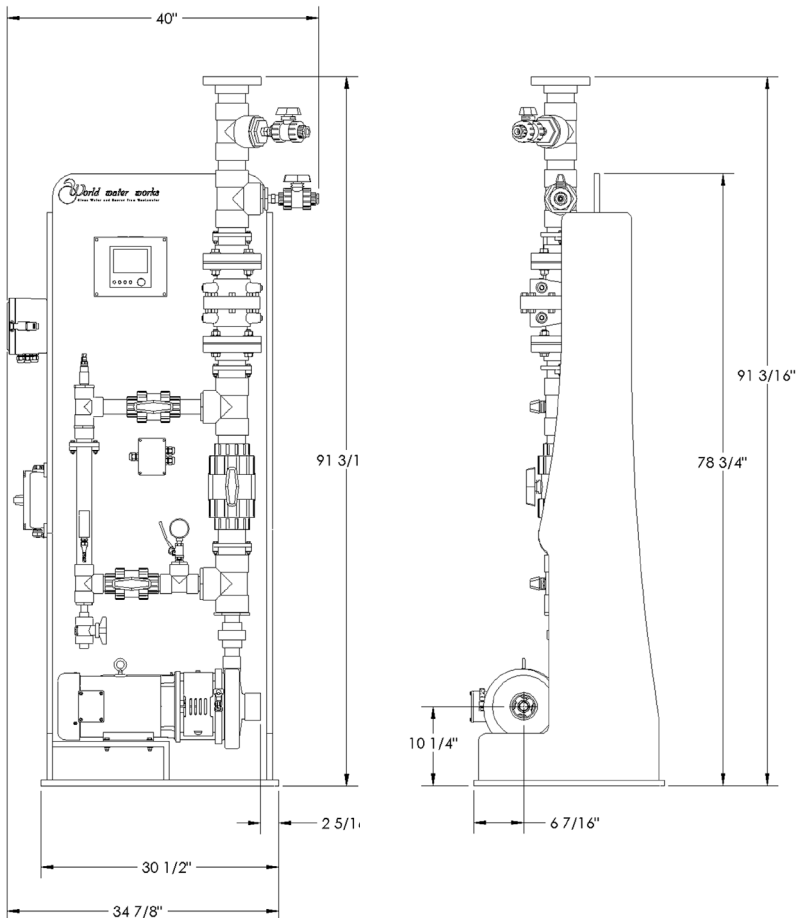
The Side Entry Mixing system offers benefits including:

- 💧 Low installation costs
- 💧 Low energy investment
- 💧 Minimal maintenance
- 💧 Long component life
- 💧 Minimal site preparations

Ideal pH™

The Ideal pH System is designed to regulate and neutralize the pH of wastewater entering the system. Wastewater is pumped into the Ideal pH System and flows through a sampling port housing a pH probe. The probe measures pH levels and sends readings to the controller. Based on the pH measurement, the controller runs an algorithm to determine the amount of acid or caustic that must be added.

Caustic is added to wastewater with low pH readings, and acid is added to wastewater with high pH readings. The controller signals for specific amounts of chemical to be injected directly into the wastewater stream from either an acid or caustic feed pump.



The stream is then discharged back into the tank, and water is recirculated until the pH reaches an acceptable range. The Ideal pH System recirculation pump is operated in with a Hand/Off/Auto switch. In hand, the pump will operate until it is turned off. In Auto, the pump will start and stop based on the control signal that determines if pH adjustment is needed at that time. The feed pump is controlled either locally on the pump, or from a 4/20 mA signal.



World Water Works, Inc. is a highly focused company in the wastewater treatment sector. We are driven to provide industrial and municipal customers proven and cost-effective wastewater treatment solutions delivering superior effluent quality.

We are a passionate and adaptable company providing value through expertly engineered products and technologies. Founded in 1998, we have unparalleled depth of application knowledge and experience.

We have offices located throughout the US, India, and UAE with a fully integrated in-house manufacturing facility at our headquarters in Oklahoma City, OK. This strategically positions us to control schedule while delivering the highest quality products and solutions at the lowest cost of ownership. Working hand-in-hand with our customers, we optimize wastewater treatment solutions globally.

We at World Water Works are ensuring our wastewater treatment systems meet today's challenges while preparing for tomorrow's water needs.